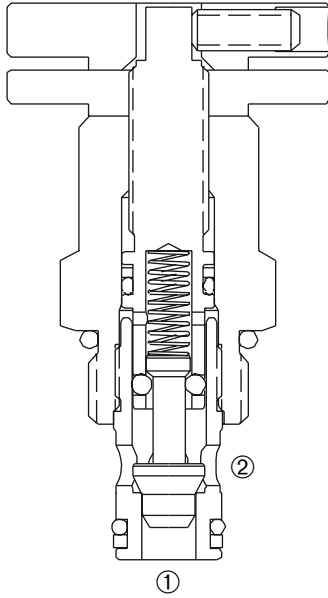


DFC-080

Adjustable, Cartridge Flow Control Valve



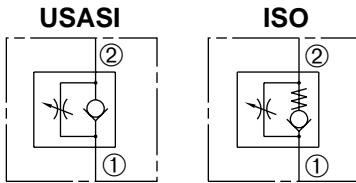
DESCRIPTION

A cartridge valve designed to provide variable flow restriction in one direction with free flow in the opposite direction.

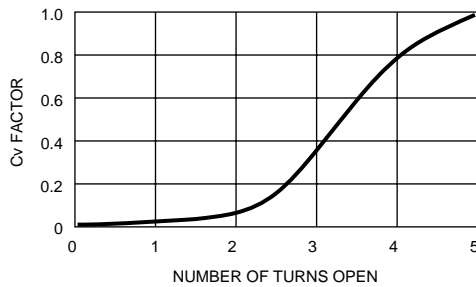
OPERATION

The DFC-080 varies flow restriction by adjusting needle in or out. Flow is metered from ② to ①. Free reverse flow is from ① to ②.

SYMBOLS



CV FACTOR VS. TURNS OPEN



$$\text{FLOW IN GPM} = \frac{C_v \sqrt{P_1 - P_2}}{\sqrt{G_f}}$$

C_v = Flow Coefficient
 P_1 = Inlet Pressure (psi)
 P_2 = Outlet Pressure (psi)
 G_f = specific gravity of medium at operating temperature in °F.

FEATURES and BENEFITS

- Hardened poppet and seat for long life.
- Aluminum knob and disc nut.
- Full range of adjustments.
- Adjustment may be locked in place.
- Industry common cavity.
- Compact size.

SPECIFICATIONS

Operating Pressure: 3000 PSI (207 Bar)

Flow: 10 GPM (37.9 L/min.) max recommended input.

Temperature: -30°F to +250°F (-35°C to +120°C)

Recommended Filtration: ISO 19/15

Fluids: Mineral-based fluids.

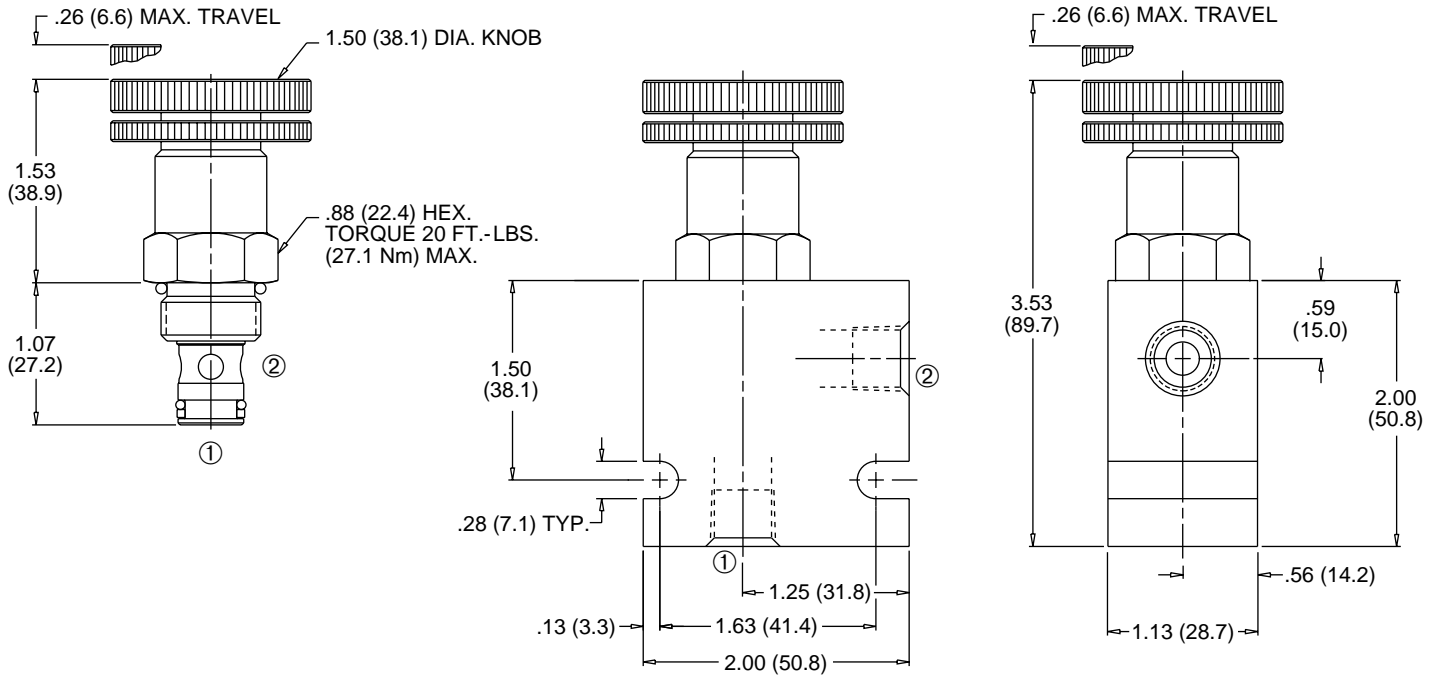
For other fluid compatibility, consult factory.

Cavity: 080-2, see page 0.20

Cavity Tool: See page 0.20

Body Material: Anodized 6061T6 aluminum alloy rated at 3000 PSI (207 Bar).

INSTALLATION DIMENSIONS



() Parentheses = Millimeters

HOW TO ORDER

