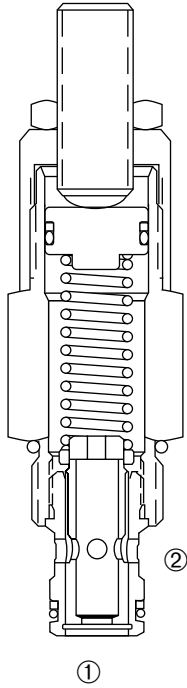


DFRA-100

Adjustable, Pressure-Compensated Cartridge Flow Regulator Valve



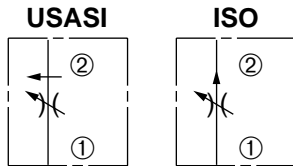
DESCRIPTION

An adjustable cartridge valve designed to regulate flow regardless of load pressure. This valve is a restrictive-type flow regulator designed for a wide variety of flow applications.

OPERATION

The DFRA-100 maintains a constant flow within specified accuracies from ① to ② regardless of downstream load pressure. When flow produces a minimum predetermined pressure differential across the compensator spool control orifice, the spool shifts against the spring force to throttle the flow and maintain the flow setting. The cartridge's flow may be adjusted - 50% of maximum setting. Reverse flow is not regulated.

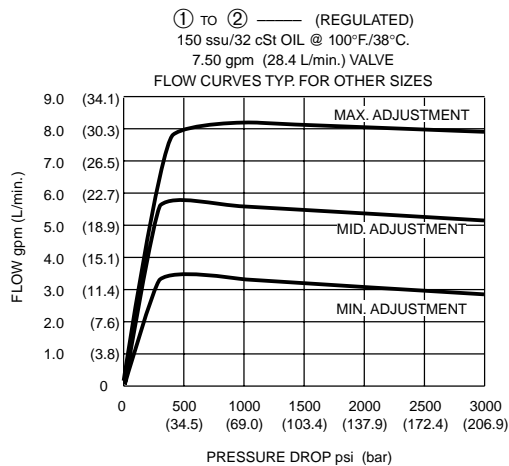
SYMBOLS



FEATURES and BENEFITS

- Pressure-compensated.
- Quiet response.
- Hidden adjustment (tamper resistant) option.
- Aluminum knob and disc nut option.
- Adjustable flow - 50% of maximum setting.
- Adjustment may be locked in place.
- Industry common cavity.
- Compact size.

PRESSURE DROP VS. FLOW



SPECIFICATIONS

Operating Pressure: 3000 PSI (207 Bar).

Flow: Ranges from 1 to 10 GPM (3.8 to 37.9 L/min.)

(See ordering table)

Flow may be adjusted -50% of maximum setting.

Flow Tolerances: Flows up to and including

1.5 GPM (5.7 L/min.) ±15%

Flows over 1.5 GPM (5.7 L/min.) ±10%

Temperature: -30° F to +250° F (-35°C to +120° C)

Recommended Filtration: ISO 16/12

Fluids: Mineral-based fluids.

For other fluid compatibility consult factory.

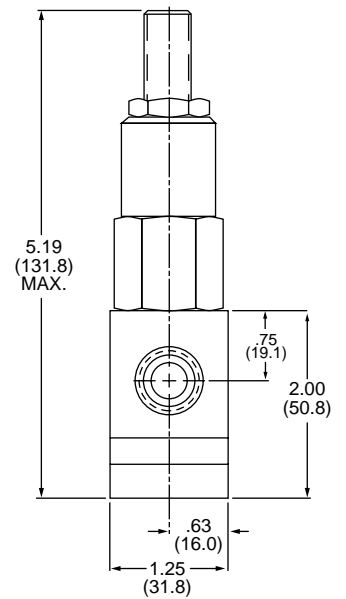
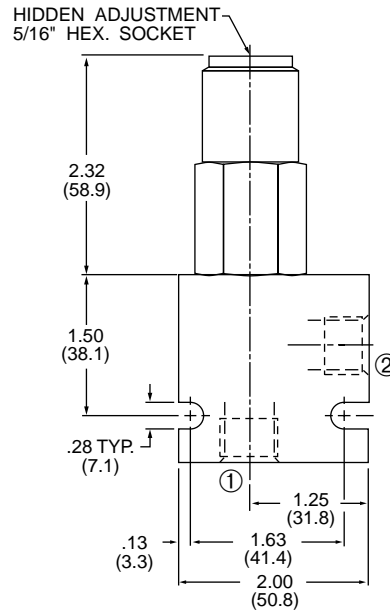
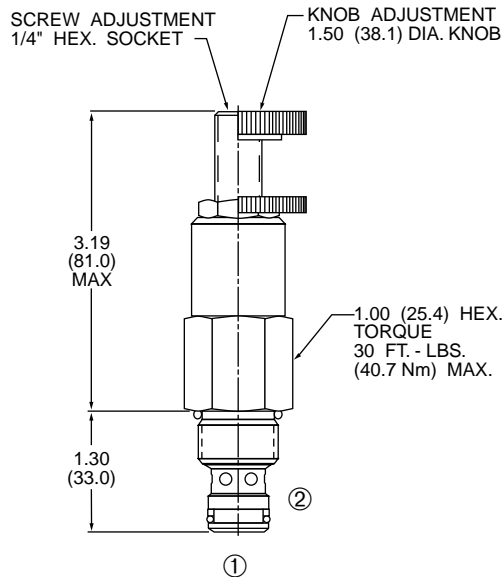
Cavity: 100-2, see page 0.21.

Cavity Tool: See page 0.21.

Body Material: Anodized 6061T6 aluminum

alloy rated at 3000 PSI (207 Bar).

INSTALLATION DIMENSIONS



() Parentheses = Millimeters

HOW TO ORDER

