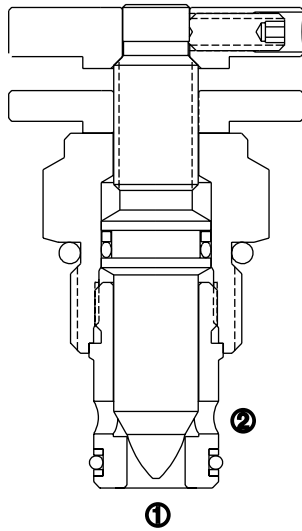


DNV-100

Adjustable, Cartridge Needle Valve



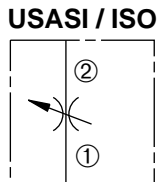
DESCRIPTION

A cartridge valve designed to provide a variable flow restriction with positive shut-off.

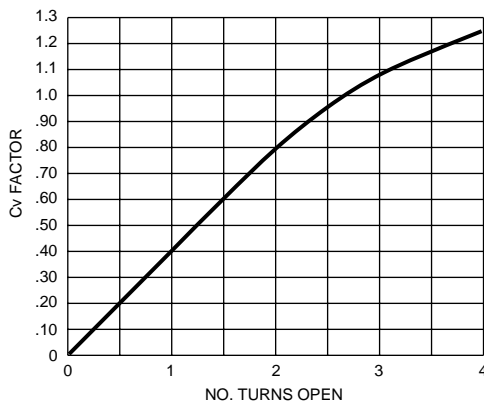
OPERATION

The DNV-100 varies flow restriction by adjusting needle in or out and will shut off when fully closed. This valve will meter flow in either direction.

SYMBOL



CV FACTOR VS. TURNS OPEN



$$\text{FLOW IN GPM} = \frac{C_v \sqrt{P_1 - P_2}}{\sqrt{G_f}}$$

C_v = Flow Coefficient
 P_1 = Inlet Pressure (psi)
 P_2 = Outlet Pressure (psi)
 G_f = specific gravity of medium at operating temperature in °F.

FEATURES and BENEFITS

- Hardened seat for long life.
- Zero leakage at shut-off.
- Aluminum knob and disc nut.
- Full range of adjustments.
- Adjustment may be locked in place.
- Positive shut-off.
- Industry common cavity.
- Compact size.

SPECIFICATIONS

Operating Pressure: 3000 PSI (207 Bar)

Flow: 12 GPM (45.4 L/min.) Max. recommended input.

Internal Leakage: 2 drops/min. max. at 3000 PSI (207 Bar) at shut-off.

Temperature: -30°F to +250°F (-35°C to +120°C)

Recommended Filtration: ISO 19/15

Fluids: Mineral-based fluids.

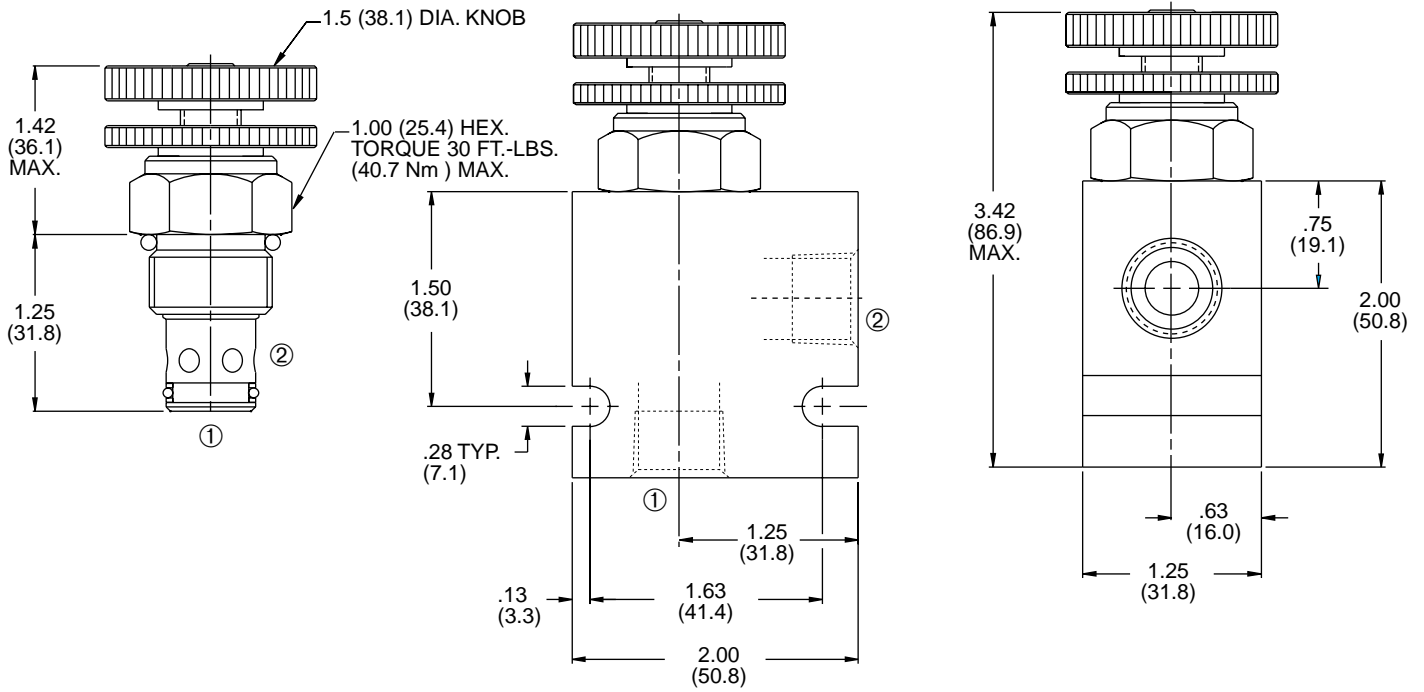
For other fluid compatibility, consult factory.

Cavity: 100-2, see page 0.21

Cavity Tool: See page 0.21

Body Material: Anodized 6061T6 aluminum alloy rated at 3000 PSI (207 Bar).

INSTALLATION DIMENSIONS



() Parentheses = Millimeters

HOW TO ORDER

