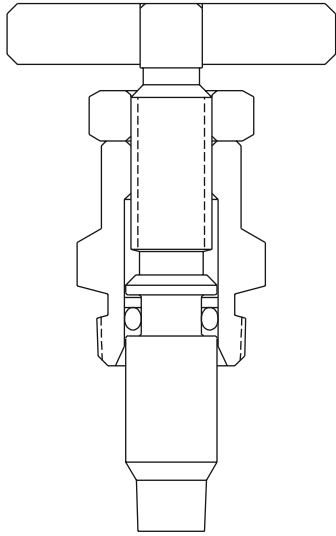


NC-**-S

Adjustable, Cartridge Needle Valve



DESCRIPTION

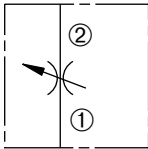
A non-self-contained cartridge valve designed to provide a variable flow restriction with positive shut-off. Valve sizes range from 1/8" to 3/4".

OPERATION

The NC series of valves vary flow restriction by adjusting needle in or out and will shut off when fully closed. These valves will meter flow in either direction.

SYMBOL

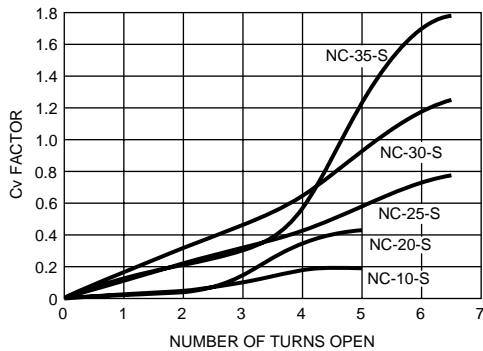
USASI / ISO



FEATURES and BENEFITS

- Aluminum knob.
- Full range of adjustments.
- Adjustment may be locked in place.
- Positive shut-off.
- Viton seals.
- Compact size.

CV FACTOR VS. TURNS OPEN



$$\text{FLOW IN GPM} = \frac{C_v \sqrt{P_1 - P_2}}{\sqrt{G_f}}$$

C_v = Flow Coefficient
 P_1 = Inlet Pressure (psi)
 P_2 = Outlet Pressure (psi)
 G_f = specific gravity of medium at operating temperature in °F.

SPECIFICATIONS

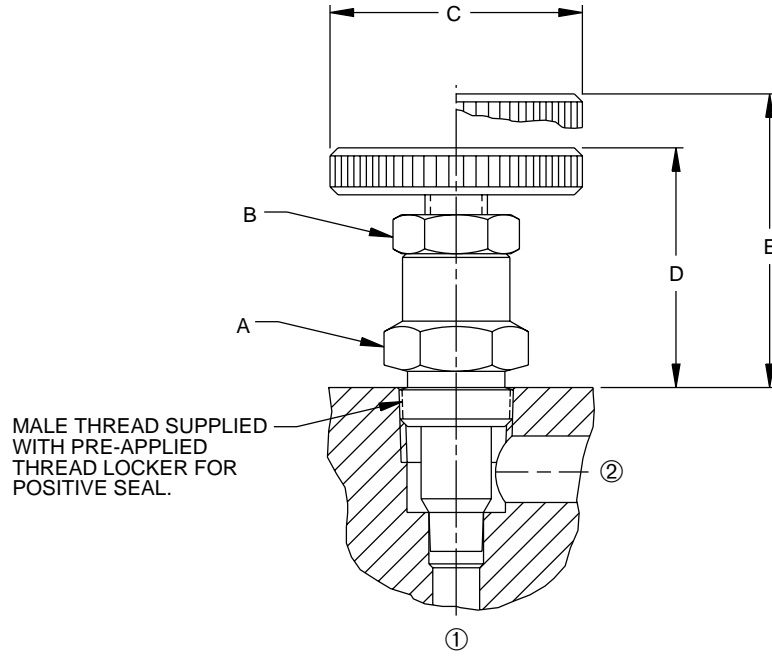
Operating Pressure: 3000 PSI (207 Bar)
Flow: See FLOW CHARACTERISTICS chart.
Temperature: -15°F to +400°F (-26°C to +204°C)
Recommended Filtration: ISO 19/15
Fluids: Mineral-based fluids.
 For other fluid compatibility, consult factory.
Cavities: NC**, see page 0.23
Cavity Tools: See page 0.23

FLOW CHARACTERISTICS

MODEL	FLOW MAX. RECOMMENDED GPM (L/min.)	CV FLOW FACTOR (FULL OPEN)
NC-10-S	3.2 (12.1)	.19
NC-20-S	7.0 (26.5)	.43
NC-25-S	13.5 (51.1)	.78
NC-30-S	22.5 (85.2)	1.24
NC-35-S	34.0 (128.7)	1.78

DELTROL

INSTALLATION DIMENSIONS



MODEL	A (WIDTH ACROSS HEX. FLATS)	B (WIDTH ACROSS HEX. FLATS)	C (DIA.)	D (CLOSED)	E (FULL OPEN)
NC-10-S	.38 (9.7)	.38 (9.7)	.78 (19.8)	.75 (19.1)	.88 (22.4)
NC-20-S	.44 (11.2)	.50 (12.7)	.78 (19.8)	.86 (21.8)	1.00 (25.4)
NC-25-S	.44 (11.2)	.50 (12.7)	1.03 (26.2)	.97 (24.6)	1.19 (30.2)
NC-30-S	.50 (12.7)	.56 (14.2)	1.03 (26.2)	1.19 (30.2)	1.44 (36.6)
NC-35-S	.69 (17.5)	.75 (19.1)	1.03 (26.2)	1.31 (33.3)	1.63 (41.4)

() Parentheses = Millimeters

HOW TO ORDER

