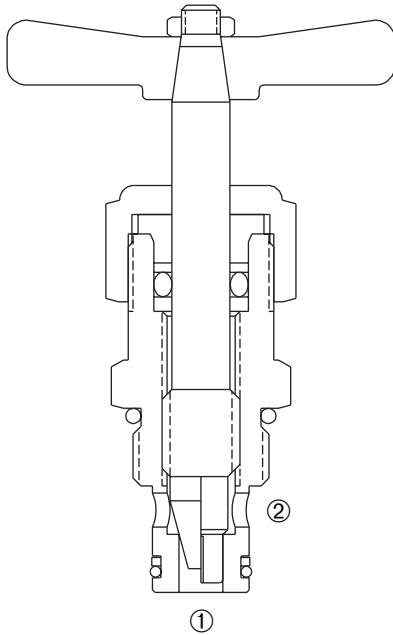


## S-210, S-310, and S-410

### Adjustable, Cartridge Shut-Off Valve



#### DESCRIPTION

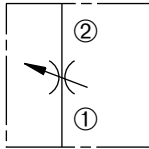
A cartridge valve designed as a shut-off. The optional SM needle provides fine metering characteristics.

#### OPERATION

The S-210, S-310, and S-410 series of valves will allow flow in either direction.

#### SYMBOL

##### USASI / ISO



#### FLOW CHARACTERISTICS

MODEL	FLOW MAX. RECOMMENDED GPM (L/min.)		CV FLOW FACTOR (FULL OPEN)
S-210-S-*	13.5	(51.1)	.85
S-310-S-*	25.0	(94.6)	1.67
S-410-S-*	40.0	(151.4)	1.89
SM-210-S-*	13.5	(51.1)	.85
SM-310-S-*	25.0	(94.6)	1.67
SM-410-S-*	40.0	(151.4)	1.89

#### FEATURES and BENEFITS

- High pressure range.
- High flow capabilities.
- Fine metering option.
- Positive shut-off.
- Compact size.

#### SPECIFICATIONS

**\*Operating Pressure:** 10000 PSI (690 Bar)

**Flow:** See FLOW CHARACTERISTICS chart.

**Temperature:** -30°F to +250°F (-35°C to +120°C)

**Recommended Filtration:** ISO 19/15

**Fluids:** Mineral-based fluids.

For other fluid compatibility, consult factory.

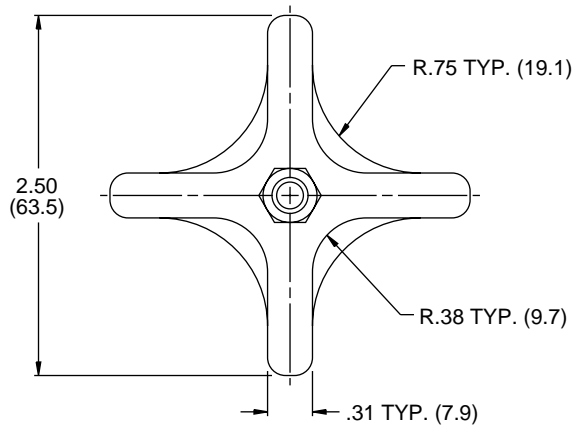
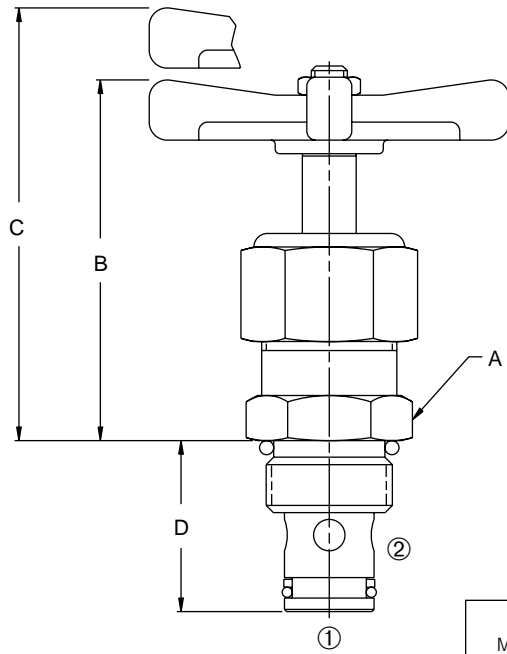
**Cavities:** S\*, see page 0.24

**Cavity Tools:** See page 0.24

*\*Installed in body of adequate size and strength.*

# DELTROL

## INSTALLATION DIMENSIONS



HANDLE TOP VIEW

MODEL	A		B (CLOSED)	C (FULL OPEN)	D
	WIDTH ACROSS HEX. FLATS	MAX. TORQUE FT.-LBS. (Nm)			
S-210-S-*	.88 (22.4)	20 (27.1)	2.25 (57.2)	2.69 (68.3)	1.00 (25.4)
S-310-S-*	1.00 (25.4)	30 (40.7)	2.75 (69.9)	3.25 (82.6)	1.19 (30.2)
S-410-S-*	1.25 (31.8)	30 (40.7)	2.38 (60.5)	2.88 (73.2)	1.56 (39.6)
SM-210-S-*	.88 (22.4)	20 (27.1)	2.25 (57.2)	2.69 (68.3)	1.00 (25.4)
SM-310-S-*	1.00 (25.4)	30 (40.7)	2.75 (69.9)	3.25 (82.6)	1.19 (30.2)
SM-410-S-*	1.25 (31.8)	30 (40.7)	2.38 (60.5)	2.88 (73.2)	1.56 (39.6)

( ) Parentheses = Millimeters

## HOW TO ORDER

