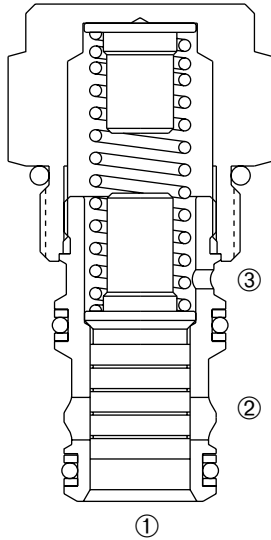


DDPS-160

Cartridge Differential Pressure Sensing Valve



DESCRIPTION

A fixed spool cartridge valve designed to direct oil to a circuit when a predetermined pressure differential has been reached.

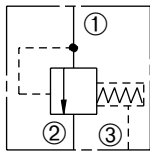
OPERATION

The DDPS-160 in the steady state blocks flow from ① to ②.

When the predetermined pressure differential between ① and ③ is achieved, the spool shifts to allow flow from ① to ②.

SYMBOL

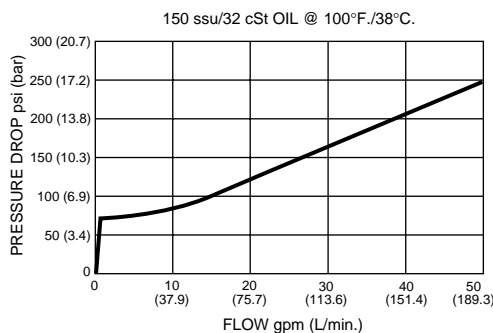
USASI / ISO



FEATURES and BENEFITS

- High flow capabilities.
- Hardened precision spool and sleeve for long life.
- Pressure differential setting options.
- Industry common cavity.
- Compact size.

PRESSURE DROP VS. FLOW



SPECIFICATIONS

Operating Pressure: 3000 PSI (207 Bar)

Flow: See PRESSURE DROP VS. FLOW graph.

Internal Leakage: 5 in.³/min. (82 cc/min.) max. at 3000 PSI (207 Bar)

Differential Pressure Settings:

- 5 PSI (0.3 Bar)
- 20 PSI (1.4 Bar)
- 40 PSI (2.8 Bar)
- 80 PSI (5.5 Bar)
- 160 PSI (11.0 Bar)

Temperature: -30°F to +250°F (-35°C to +120°C)

Recommended Filtration: ISO 19/15

Fluids: Mineral-based fluids.

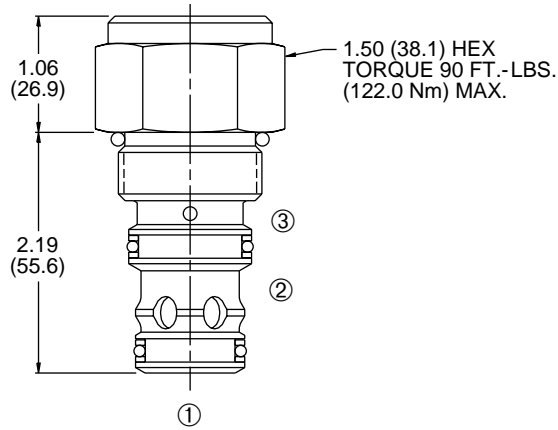
For other fluid compatibility, consult factory.

Cavity: 160-3S see page 0.22

Cavity Tool: See page 0.22

Body Material: Anodized 6061T6 aluminum alloy rated at 3000 PSI (207 Bar).

INSTALLATION DIMENSIONS



HOW TO ORDER

