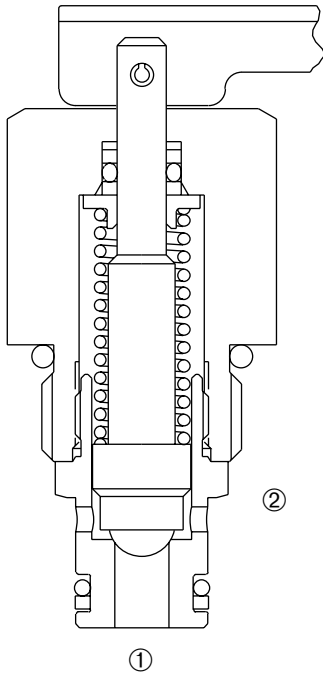


DTV2-080

Normally-Closed, Cartridge Toggle-Operated Valve



DESCRIPTION

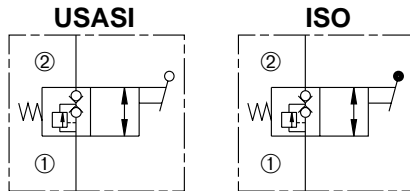
A toggle-operated cartridge valve designed with positive shut off to be used in load holding applications.

OPERATION

The DTV2-080 blocks flow from ② to ①, or ① to ②. When the toggle handle is actuated, fluid flows from ② to ①, or ① to ②. The cartridge allows reverse flow from ① to ② after overcoming the spring force of 450 PSI (31 Bar).

The DTV2-080 can be actuated by pushing or pulling the toggle handle and will not over-center detent open.

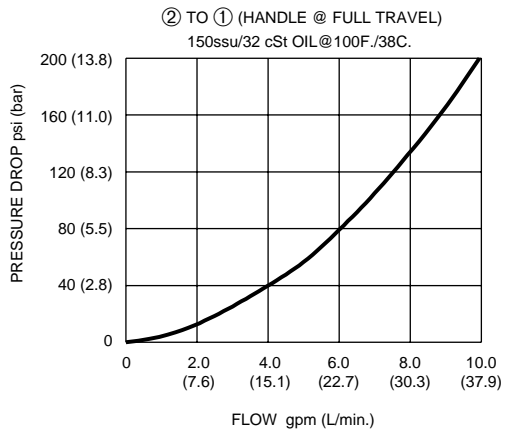
SYMBOLS



FEATURES and BENEFITS

- Chrome alloy ball for long life.
- Low leakage.
- Push or pull actuator.
- Can't over-center detent open (Safety purposes).
- Industry common cavity.
- Compact size.

PRESSURE DROP VS. FLOW

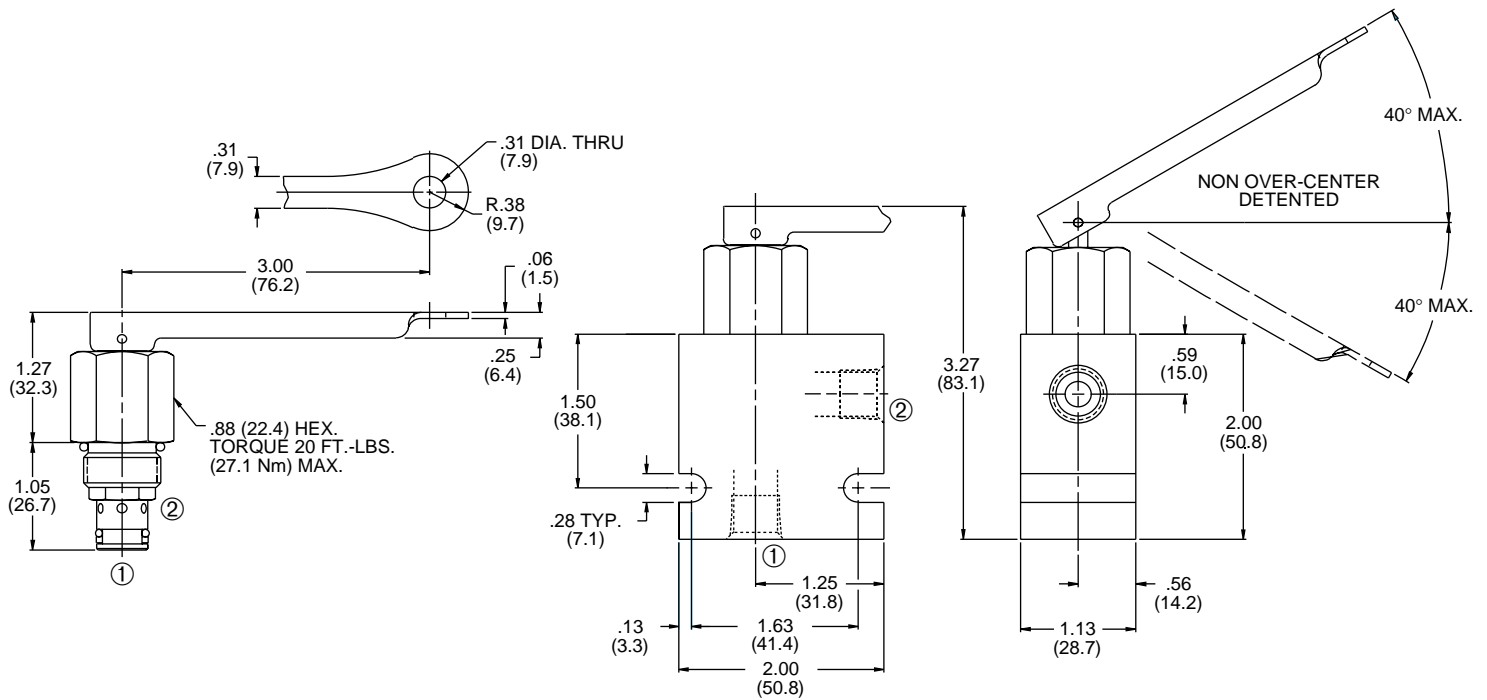


SPECIFICATIONS

- Operating Pressure:** 3000 PSI (207 Bar)
- Flow:** See PRESSURE DROP VS. FLOW graph.
- Internal Leakage:** 5 drops/min. max. at 3000 PSI (207 Bar)
- Temperature:** -30° F to +250° F (-35°C to +120° C)
- Recommended Filtration:** Critical Application-ISO 16/12
Non-Critical Application-ISO 19/15
- Fluids:** Mineral-based fluids.
For other fluid compatibility consult factory.
- Cavity:** 080-2, see page 0.20.
- Cavity Tools:** See page 0.20.
- Body Material:** Anodized 6061T6 aluminum alloy rated at 3000 PSI (207 Bar).

DELTROL

INSTALLATION DIMENSIONS



() Parentheses = Millimeters

HOW TO ORDER

