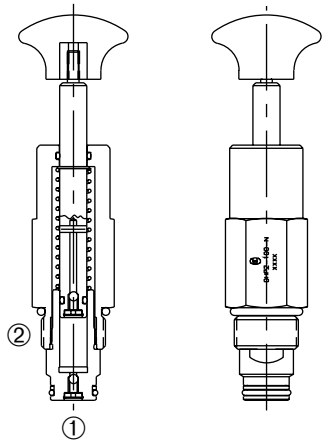


DHP2-100

Hand Pump



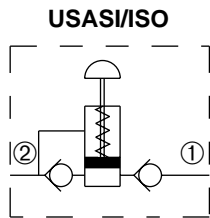
DESCRIPTION

A self-contained cartridge style hand pump designed to deliver flow when the operator is pushed. The suction and outlet checks are integral to the cartridge.

OPERATION

When the operator is pushed, the DHP2-100 delivers a nominal flow of 0.1 cu. in. to the ① port. When the operator is pulled, the DHP2-100 suctions fluid from the ② port.

SYMBOLS



FEATURES and BENEFITS

- Checks are integral to the cartridge.
- Hardened parts for long life.
- Industry common cavity.

SPECIFICATIONS

Maximum Pressure: 3000 PSI

Operating Pressure: 2000 PSI

Flow: 0.1 cu. in.

Internal Leakage: 2 drops/min. max. at 2000 PSI

Temperature: -30°F to +250°F (-35°C to +120°C)

Recommended Filtration: ISO 16/12

Fluids: Mineral-based fluids.

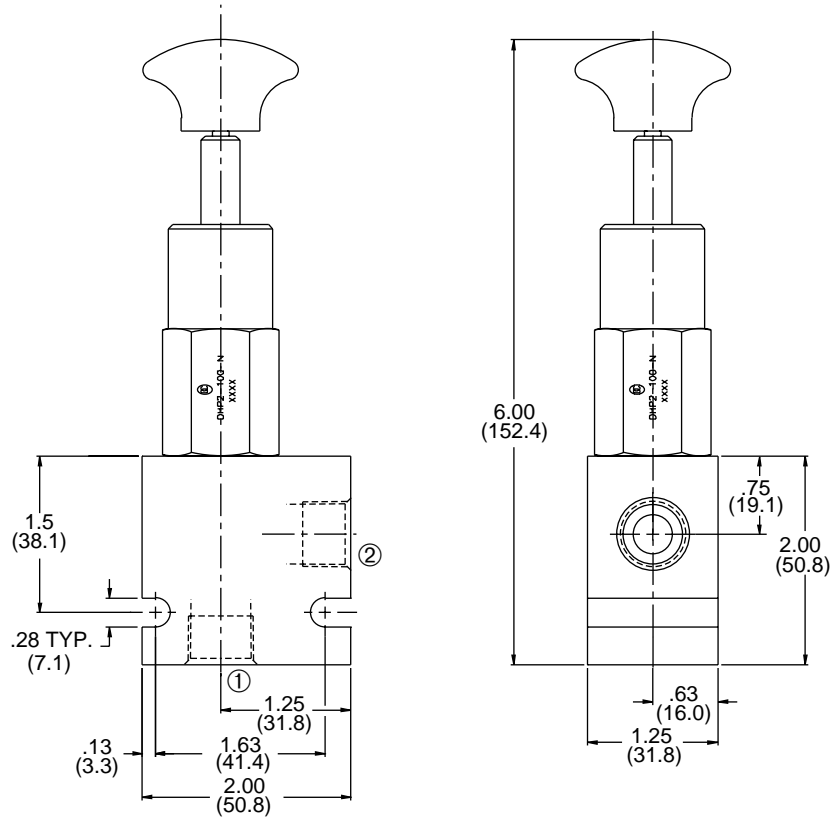
For other fluid compatibility, consult factory.

Cavity: 100-2 , see page 0.21

Body Material: Anodized 6061T6 aluminum alloy rated at 3000 PSI

DELTROL

INSTALLATION DIMENSIONS



() Parentheses = Millimeters

HOW TO ORDER

