

Easy Read

ADJUSTABLE PRESSURE COMPENSATED FLOW CONTROL VALVE (Hydraulic Only)

- Easy Read Design With Metal Setting Knob and Stem
- Positive Position Setting for Precise Flow Control and Easy Repeatability
- Maximum Operating Pressure, 3,000 PSI (207 Bar)
- Low Pressure Drop In Free Reverse
- Steel Construction

Deltrol's Easy Read Adjustable Pressure Compensated Flow Control Valves are designed for hydraulic use..

Metal setting knob and stem provide added durability for positive operation of valve in harsh industrial environments. Color coded stem plus numerical read-out ensure accurate setting for precise pressure compensated flow control and repeatability.

Valves will start to control flow at 60/70 PSI (4.1/4.8 bar) pressure drop. Maximum operating pressure is 3,000 PSI (207 bar). Flow regulated between $\pm 10\%$ above 1.5 GPM (5.7 L/min); $\pm 15\%$.5 to 1.5 GPM (1.9 to 5.7 L/min).



SPECIFICATIONS

Operating Pressure
60-3000 PSI (4-207 bar)

Threads
1/4" thru 3/4" NPTF
1/4" thru 3/4" BSPT

Materials
Body - Steel
Needle - Stainless Steel
O-Ring - Viton
Washer - Teflon
Knob - Aluminum
Piston - Steel
Spring - Music Wire

ORDERING INFORMATION

NFPT THREAD

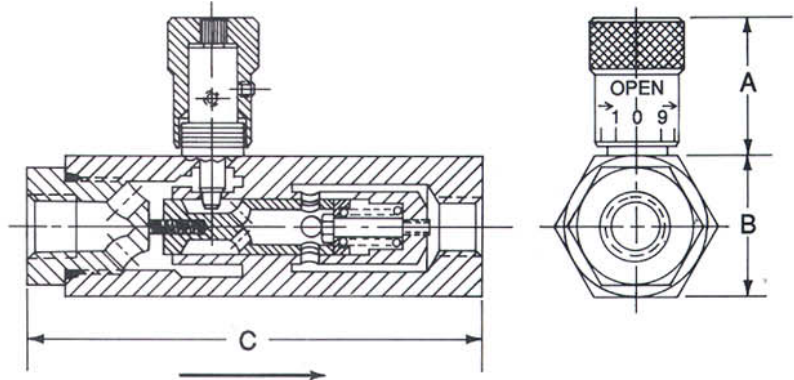
Size	Part Number
1/4"	EPC521
3/8"	EPC531
1/2"	EPC541
3/4"	EPC561

ISO 7/1 - RP* — BSP TAPER THREAD

Size	Part Number
1/4"	EPCB521
3/8"	EPCB531
1/2"	EPCB541
3/4"	EPCB561

* Agrees with BS21:1995 and JIS B0203

VALVE DIMENSIONS



SIZE	Range Controlled Flow GPM (L/min)	MIN. OF ΔP	A OPEN	A CLOSED	B HEX	C
1/4"	.5 - 5 (1.9 - 19)	60 (4.1 bar)	1-13/32 (35.8)	1-7/32 (31.0)	1-3/16 (30.2)	3-31/32 (100.9)
3/8"	1.0 - 10 (3.8 - 38)	70 (4.8 bar)	1-31/32 (50.0)	1-5/8 (41.3)	1-1/2 (38.1)	5-27/64 (137.8)
1/2"	1.5 - 15 (5.7 - 57)	70 (4.8 bar)	1-31/32 (50.0)	1-5/8 (41.3)	1-5/8 (41.3)	5-7/8 (149.3)
3/4"	3 - 30 (11.4 - 114)	70 (4.8 bar)	2-3/16 (55.6)	1-13/16 (46.1)	1-7/8 (47.7)	6-9/16 (166.7)

() Parentheses = Millimeters