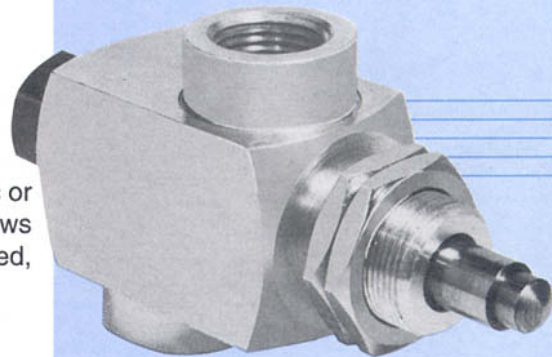
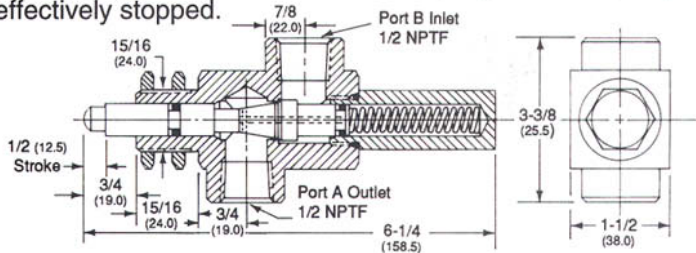


Pneu-Trol

PLUNGER-OPERATED TWO-WAY VALVES

- Normally Closed
- Operating Pressure to 3,000 PSI (207 bar) (Non-shock Service)
- Flow Co-efficient (Cv Factor) 2.6
- Soft Seat for Positive Shut-off

Pneu-Trol Plunger-Operated Two-Way Valves control the flow of hydraulic or pneumatic flow. The POV32 Two-Way Valve is normally closed and allows flow with the plunger depressed. With the spring-retained plunger released, flow is effectively stopped.



PLUNGER EFFORT PER 1,000 PSI (69 Bar)
B to A Port = 97 Lbs. (431 N)

ORDERING INFORMATION

Size	Type	Part No.	Cv
1/2"	Normally Closed	POV32S	2.6