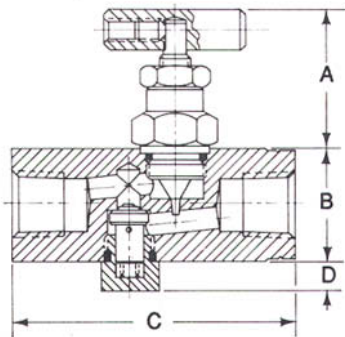


◀ **Pneu-Trol®**

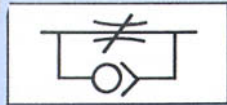
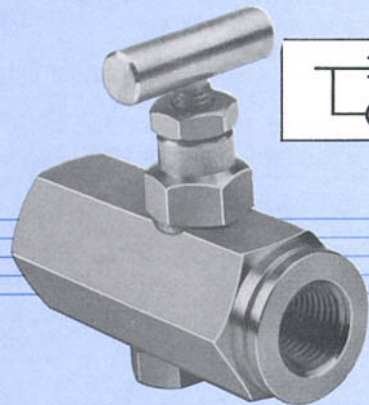
STAINLESS STEEL INSTRUMENTATION VALVES

- 316 Stainless Steel Throughout
- Fine Metering
- Bubble-Tight Poppet-Style Check
- T-Bar Handle (Removable if Desired)
- Ideal for Food Processing and Petro Chemical Industries

Size	A	B Hex	C	D
1/8"	7/8 (22.3)	11/16 (17.5)	1-3/4 (44.5)	3/16 (4.8)
1/4"	1-1/16 (27.0)	7/8 (22.3)	2-3/8 (60.4)	3/16 (4.8)



() Parentheses = Millimeters



ORDERING INFORMATION

Size	Part No.	Rated Press.	Rated Flow
1/8"	SFP10SSB	1000 PSI (69 bar)	1.5 GPM (5.7 L/min)
1/4"	SFP20SSB	500 PSI (35 bar)	3 GPM (11.4 L/min)