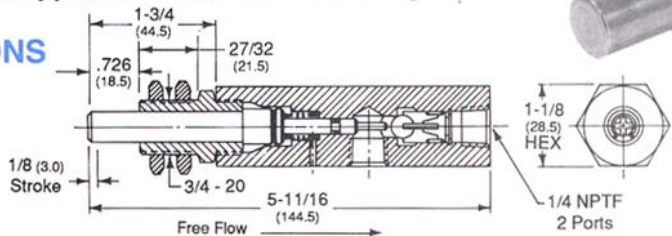


Pneu-Trol

PLUNGER-OPERATED CHECK VALVES

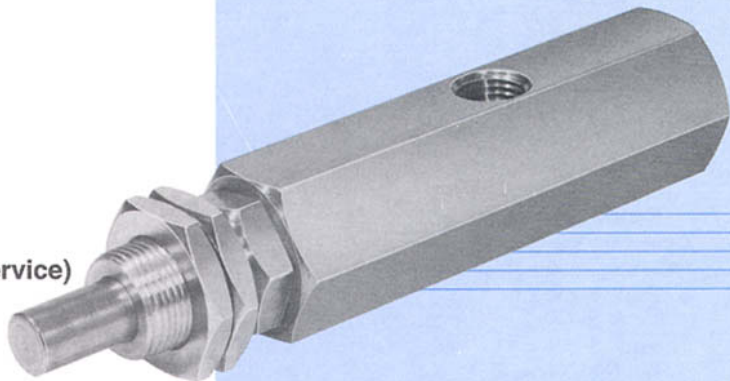
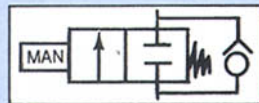
- Normally Closed, Push to Open
- For Hydraulic or Pneumatic Operation
- 5 GPM (19 L/min) Rated Flow
- Cv Factor is .54
- 3,000 PSI (207 bar) Operating Pressure (Non-Shock Service)
- Pneumatic Applications are Not Bubble Tight

DIMENSIONS



ORDERING INFORMATION

SIZE	MATERIAL	PART NUMBER
1/4"	Carbon Steel	MOC20S



Plunger Effort per 1,000 PSI (69 bar)
is 70 lbs. (311 N).