



SPECIFICATIONS

Maximum Operating Pressure (Non-Shock Service)

5,000 PSI (345 bar)

Operating Temperature Range (O-Ring Packing)

Viton (Standard):

-15° to +400° F (-26° to +204°C)

Threads

1/4" NPTF Threads

Materials

Housing, Plug, Body – Hexagon Carbon
Steel

Needle – 416 Stainless Steel

Back-up Washer – Teflon

Knob – Aluminum

Maximum Recommended Flow Rate

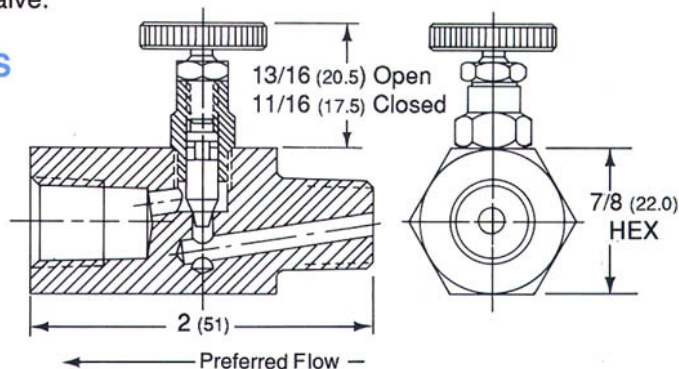
3.2 GPM (12 L/min)

Pneu-Trol®

MALE-TO-FEMALE 1/4" NEEDLE VALVES with 1/8" NEEDLE ASSEMBLY

This special purpose valve is designed primarily for use as gauge shut-off valves. It may also be used for any application where low flow is required. 1/4" NPTF threads mount directly in gauge line while flow is reduced to that of 1/8" needle valve.

DIMENSIONS



ORDERING INFORMATION

Specify Part No. NMF20-10S.

() Parentheses = Millimeters