

SPECIFICATIONS

Maximum Operating Pressure (Non-Shock Service)

5,000 PSI (345 bar)

Operating Temperature Range (O-Ring Packing)

Viton (Standard):

-15° to +400° F (-26° to +204°C)

Threads

1/4" NPTF Threads

Materials

Housing, Plug, Body – Carbon Steel

Needle – 416 Stainless Steel

Back-up Washer – Teflon

Knob – Aluminum

Maximum Recommended Flow Rate

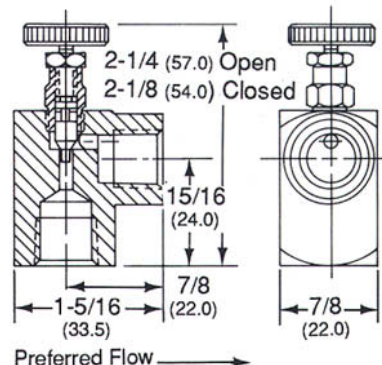
3.2 GPM (12 L/min)

◀ Pneu-Trol®

RIGHT ANGLE 1/4" NEEDLE VALVES with 1/8" NEEDLE ASSEMBLY

Ideally suited for use as gauge shut-off valves, this new right angle Pneu-Trol needle valve has 1/4" NPTF threads that mount directly in gauge line. Flow is reduced to that of 1/8" needle valve for limited flow to gauge. This valve may also be used for low flow applications.

DIMENSIONS



ORDERING INFORMATION

Specify Part No. N20-10S.

() Parentheses = Millimeters