

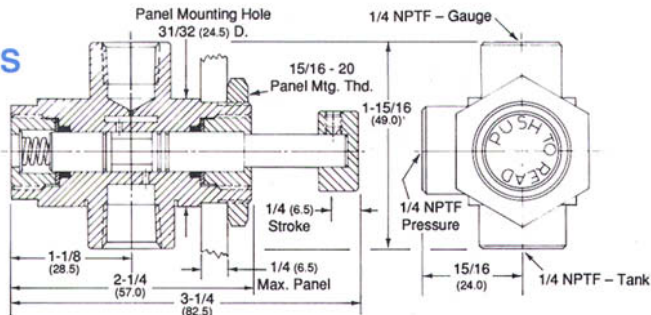
Pneu-Trol GAUGE ISOLATOR VALVES

- For Hydraulic Application
- Panel or Bracket Mounting
- Up to 3,000 PSI (207 Bar) Working Pressure
- Push to Operate – Spring Return

The Pneu-Trol Gauge Isolator Valve is designed to prevent surge damage to a gauge in all types of hydraulic circuits. The Gauge Isolator Valve also acts as a snubber to prevent damage to other hydraulic components – hydraulic chatter, pulsation and fluid hammer can cause costly down time of equipment.

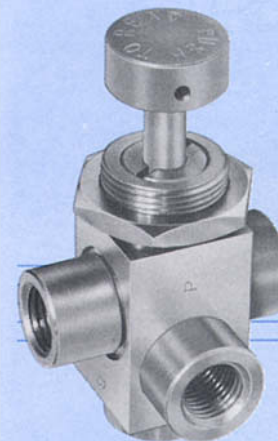
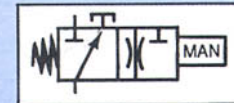
Simple to operate – just push to read. Depressing the knob allows fluid to flow around the spool to the gauge. When the spring-loaded knob is released the spool is automatically returned to the closed position, allowing the fluid to drain from the gauge out the exhaust port.

DIMENSIONS



ORDERING INFORMATION

Size	Part Number	Orifice
1/4"	GI21S	.02"
1/4"	GI21S-C5	.062"



SPECIFICATIONS

**Maximum Operating Pressure
(Non-Shock Service)**

Up to 3,000 PSI (207 bar)

Stroke

1/4" (6.5)

Ports

1/4" NPTF

Mounting

Panel

Materials

Spool – Hardened Steel (Rockwell 50/55)

Body – Steel

Knob – Aluminum

Orifice

In Gauge Port .020" (.51) Standard
(Optional with .062" (1.57) orifice at
extra charge.)