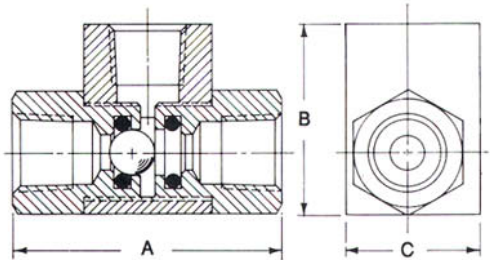


# ◀ Pneu-Trol® SHUTTLE VALVES

- Operates as a Three-Way Valve with Two Inlet Ports and One Outlet Port. The Check Ball Moves Away from the Inlet Port with the Greatest Differential Pressure and Against the Port Having the Least Differential Pressure
- Soft Buna N Check Ball Seats Insure Bubble-Tight Operation
- 200 PSI (14 bar) Maximum Pressure Rating (Non-Shock Service)

## DIMENSIONS

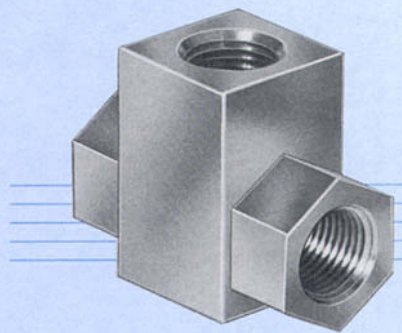
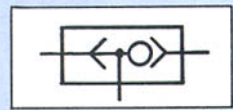


Size	A	B	C	Cv
1/8"	1-1/4" (31.8)	31/32" (24.7)	5/8" (15.9)	.74
1/4"	1-7/8" (47.7)	1-5/16" (33.4)	7/8" (22.3)	1.35

( ) Parentheses - Millimeters

## ORDERING INFORMATION

Size	Part Number	Material
1/8"	SV10B	Brass
1/4"	SV20B	Brass



## SPECIFICATIONS

**Maximum Operating Pressure  
(Non-Shock Service)**  
200 PSI (14 Bar)

**Material**  
Brass