



◀ Pneu-Trol®

316 STAINLESS STEEL FLOW CONTROL VALVES

- Optional Bubble-Tight Check Valve Available

Pneu-Trol 316 Stainless Steel Flow Control Valves are an addition to Deltrol's standard line of Flow Control Valves found on page 8.

FLOW CONTROL

A spring biased ball or optional poppet check provides full flow in one direction; a stainless steel, tapered needle provides a wide range of adjustment of flow in the controlled direction. A locknut prevents unwanted changes in adjustment. A tamperproof adjustment key is standard; a knurled knob is optional at slight extra cost.



SPECIFICATIONS

Maximum Non-Shock Operating Pressure

5,000 PSI (345 bar)

Operating Temperature

Viton -15° to +400°F (-26° to 203°C)

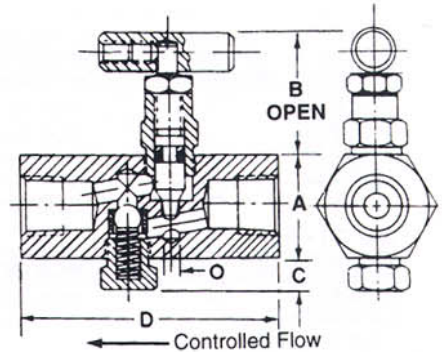
Threads

NPTF 1/4" and 1/2"

Materials

316 Stainless Steel

VALVE DIMENSIONS



Pipe Size	A Hex	B	C	D	O
1/4"	7/8" (22.3)	1.1 (25.4)	0.368 (9.4)	2.38 (60.4)	.156 (4.0)
1/2"	1-5/16" (33.4)	1.5 (37.5)	.49 (12.5)	3.18 (80.9)	.281 (7.2)

ORDERING INFORMATION

Size	Model Number	Cv Max. Open	Max. Flow Rate G.P.M. (L/Min)
1/4"	F20SS316K	.43	3.0 (11.4)
1/2"	F30SS316K	1.24	8.0 (30.3)