

PCM 88 FIXED, FREE REVERSE, EXTERNALLY PORTED PRESSURE-COMPENSATED CARTRIDGE FLOW REGULATOR VALVE

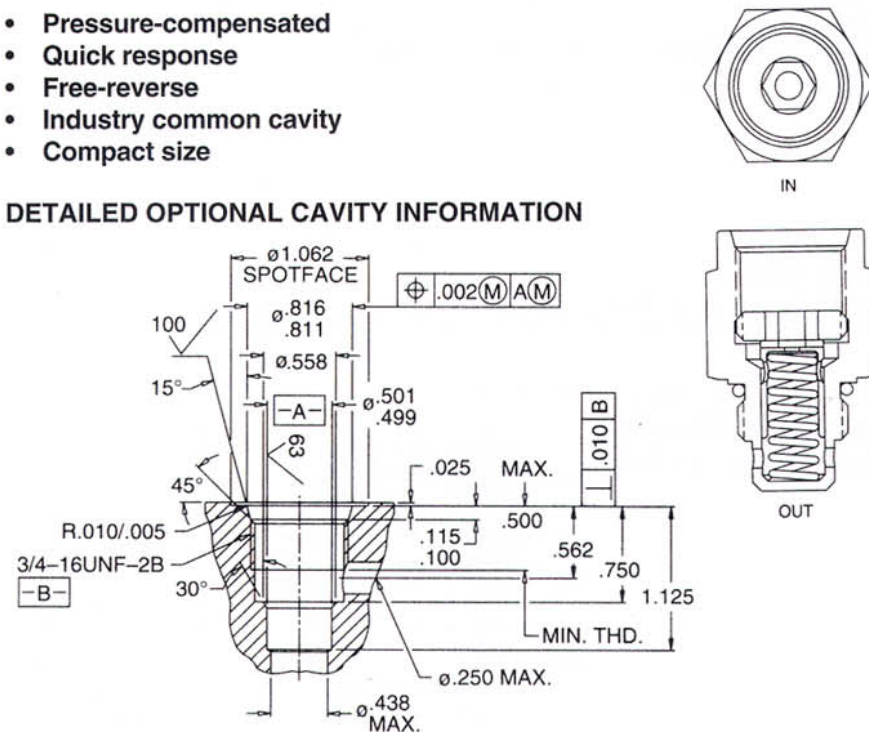
Deltrol fixed cartridge valve designed to regulate flow regardless of load pressure. This valve is a restrictive-type flow regulator designed for a wide variety of flow applications.

The male outlet port allows for quick installation into existing manifolds for meter-in control with free flow in the opposite direction.

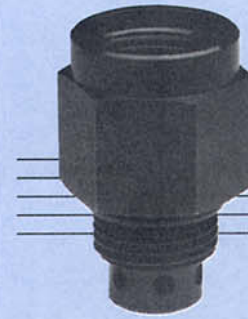
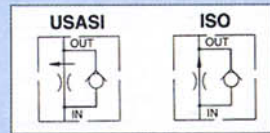
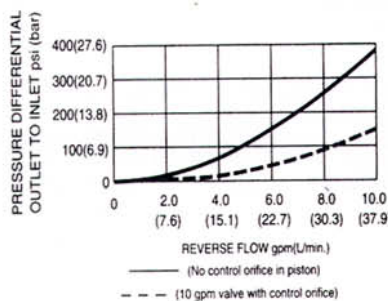
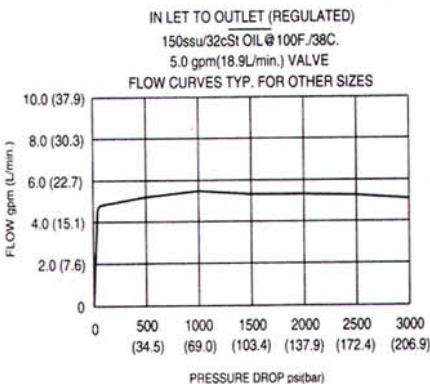
The PCM 88 maintains a constant flow within specified accuracies from inlet to outlet regardless of downstream load pressure. When flow produces a minimum predetermined pressure differential across the compensator spool control orifice, the spool shifts against the spring force to throttle the flow and maintain the flow setting. In the reverse direction the spool shifts to permit free flow.

- Pressure-compensated
- Quick response
- Free-reverse
- Industry common cavity
- Compact size

DETAILED OPTIONAL CAVITY INFORMATION



PRESSURE DROP VS. FLOW



SPECIFICATIONS

Operating Pressure
3,000 PSI (207 bar)

Flow
Range from 1 GPM to 10 GPM
(3.8 to 37.9 L/min.)
(See ordering table)

Flow Tolerances
Flows up to and including 1.5 GPM
(5.7 L/min.) $\pm 15\%$
Flows over 1.5 GPM
(5.7 L/min.) $\pm 10\%$

Temperature
-30°F to +250°F (-35° to +120°C)

Recommended Filtration
ISO 16/12

Fluids
Mineral-based fluids
For other fluid compatibility,
consult factory.

Cavity
#8 SAE
Optional Cavity
080-2
Optional Cavity Tool
Rough Drill P/N - 10131-76
Finish Form Tool P/N - 10131-77

Body Material
Anodized 6061 T6 aluminum alloy
rated at 3,000 PSI (207 bar)

ORDERING INFORMATION

