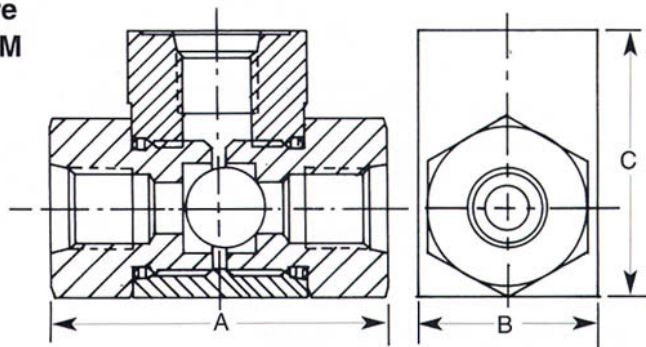


◀ Pneu-Trol[®] HYDRAULIC SHUTTLE VALVE

- 3000 PSI (207 Bars) Maximum Operating Pressure
- Rated Flow - 5 GPM



DIMENSIONS

| Size | A | B | C |
|-------|-------|------|------|
| SAE-4 | 1.87" | 1.0" | 1.5" |

MATERIAL

Body - Steel
O-Ring - Buna
Ball - SST-440

ORDERING INFORMATION

| Size | Material | Part # | Cv |
|-------|----------|---------|-----|
| SAE-4 | Steel | SVM420S | .45 |