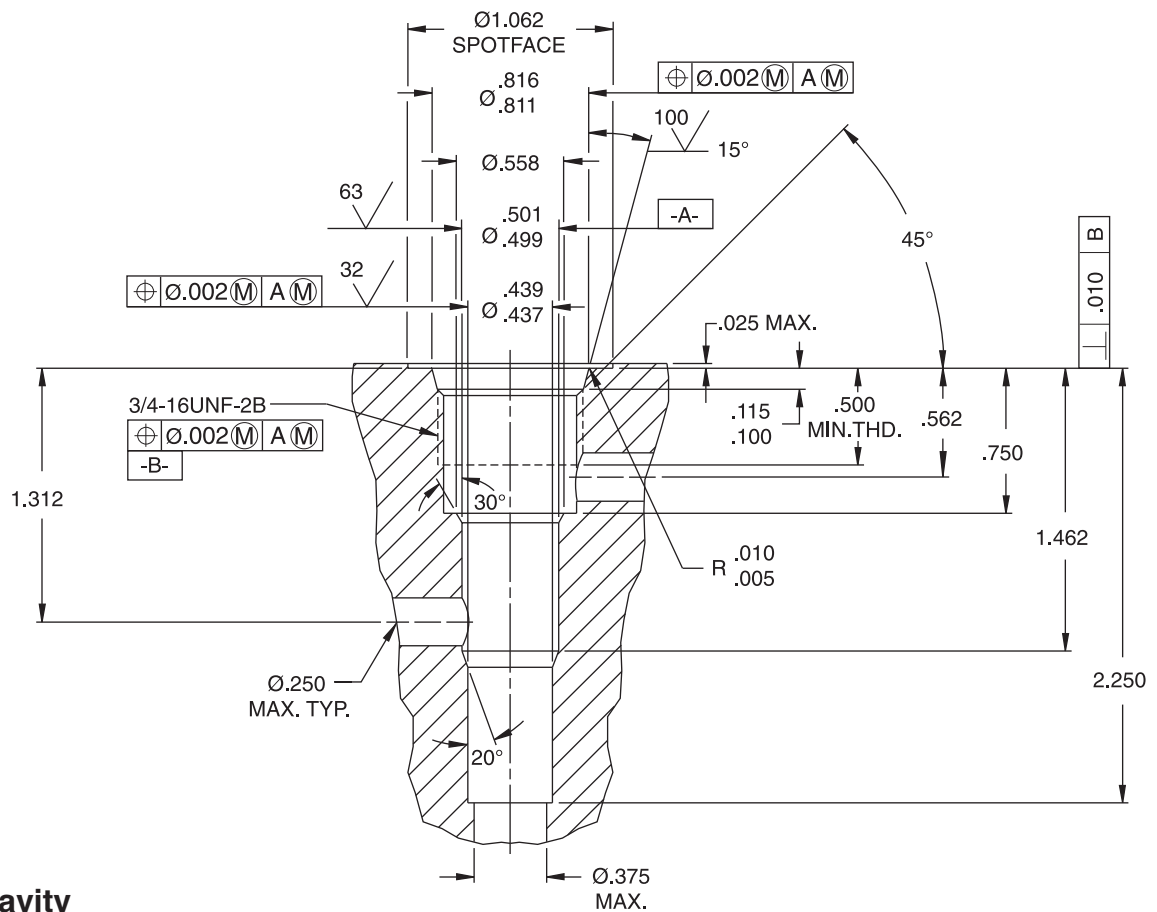


PILOT PISTON AREA TO PILOT SEAT AREA RATIO IS 5:1.
KIT IS NOT RECOMMENDED FOR USE WITH DCV-080-PB.

KIT, PILOT PISTON/SPRING
(INCLUDES SEALS)
P/N-10130-28



080-2P Cavity

Rough Drill P/N – 10167-19
Finish Form Tool P/N – 10167-20

UNLESS OTHERWISE SPECIFIED

Specifications subject to change,
consult factory.

All dimensions in inches.

2 PLACE DIM ± .01

3 PLACE DIM ± .005

ANGLE ± .5°