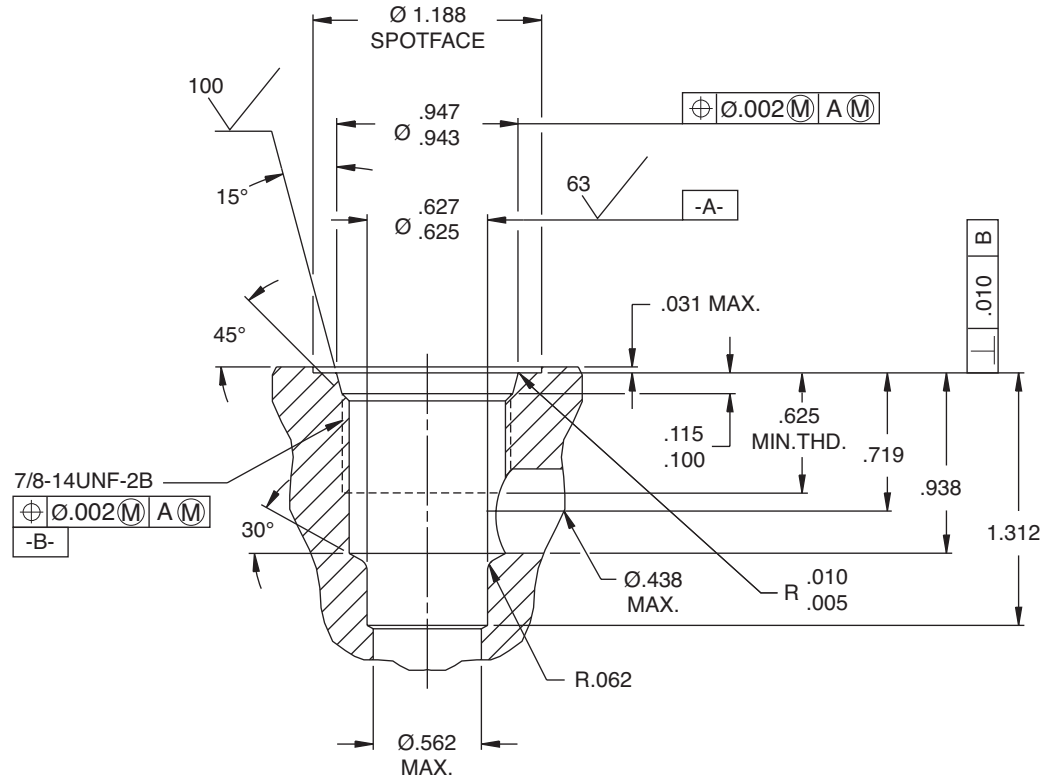


# 100-2 Cavity

SERIES 10



## 100-2 Cavity

Rough Drill

P/N-10131-82

Finish Form Tool

P/N-10131-83

**UNLESS OTHERWISE SPECIFIED**

Specifications subject to change,  
consult factory.

2 PLACE DIM ± .01

3 PLACE DIM ± .005

All dimensions in inches.

ANGLE ± .5°