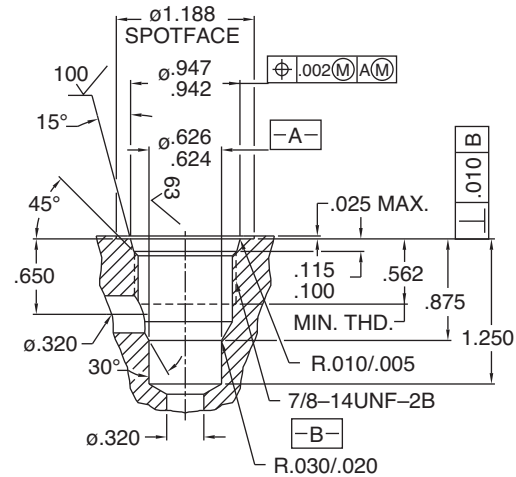


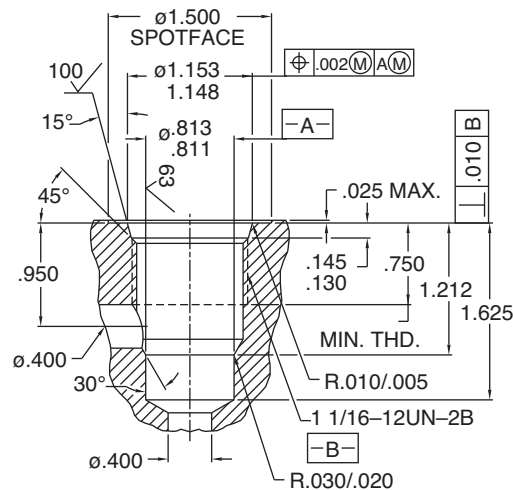
S210 Cavity

Rough Drill P/N - 10132-05
Finish Form Tool P/N - 10132-06



S310 Cavity

Rough Drill P/N - 10132-07
Finish Form Tool P/N - 10132-08



S410 Cavity

Rough Drill P/N - 10132-09
Finish Form Tool P/N - 10132-10

SOLENOID

CHECK

MOTION CONTROL

FLOW CONTROL

RELIEF

PRESSURE CONTROL

SEQUENCE

SHUTTLE

DIRECTIONAL VALVES

ACCESSORIES

TECHNICAL DATA