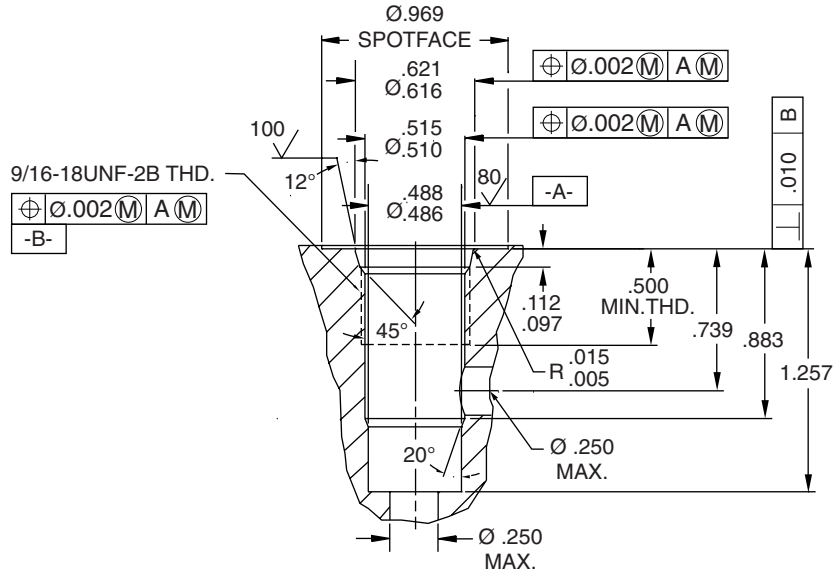


# ZP62 Cavity

ZERO PROFILE



## ZP62 Cavity

Rough Drill P/N – 10202-02  
 Finish Form Tool P/N – 10202-03

**UNLESS OTHERWISE SPECIFIED**

Specifications subject to change, 2 PLACE DIM ± .01  
 consult factory. 3 PLACE DIM ± .005  
 All dimensions in inches. ANGLE ± .5°