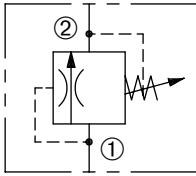


ZTRV-62

Thermal,
Relief Valve

ZERO PROFILE



DESCRIPTION

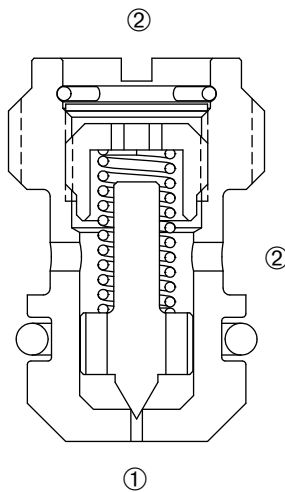
A directing poppet cartridge thermal relief valve designed to limit pressure in hydraulic circuits as a result of temperature induced pressure intensification.

OPERATION

The ZTRV-62 prevents flow from ① to ② until the set crack pressure at ① is achieved. The poppet then unseats, allowing flow from ① to ②, limiting system pressure.

FEATURES and BENEFITS

- Hardened parts for long life.
- Hidden adjustment (tamper resistant).
- Zero profile style cavity.
- Compact size.



SPECIFICATIONS

Operating Pressure: 5000 PSI (345 Bar)

Internal Leakage: 5 drop/minute @ reseal pressure.

Re-Set Pressure: Nominal 80% of crack pressure.

Spring Range: 2000 to 5000 PSI (138 to 345 bar)
Preset 2000 PSI (138 Bar)

Temperature: -30°F to +250°F (-35°C to +120°C).

Recommended Filtration: ISO 17/15/13

Fluids: Mineral-based fluids.

For other fluid compatibility, consult factory

[Cavity/Cavity Tool: ZP62, see page 11.06.2](#)

SOLENOID

CHECK

MOTION CONTROL

FLOW CONTROL

RELIEF

PRESSURE CONTROL

SEQUENCE

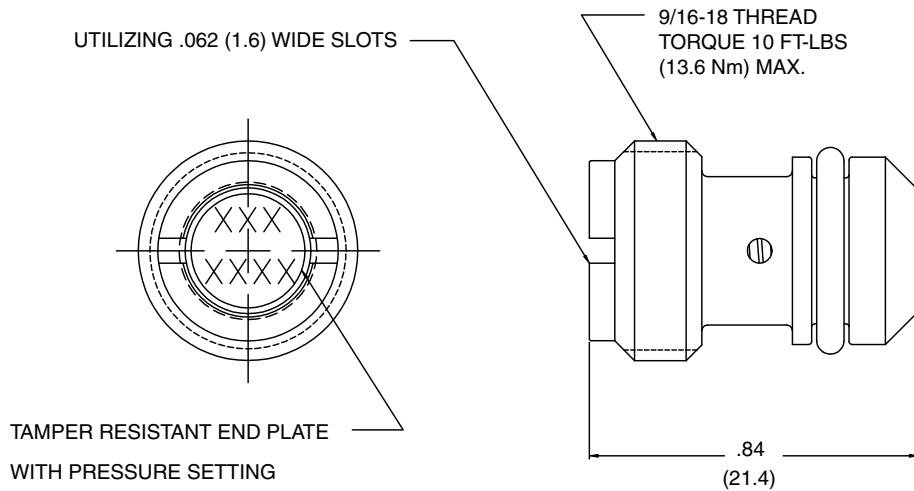
SHUTTLE

DIRECTIONAL VALVES

ACCESSORIES

TECHNICAL DATA

INSTALLATION DIMENSIONS



() Parentheses = Millimeters

HOW TO ORDER

